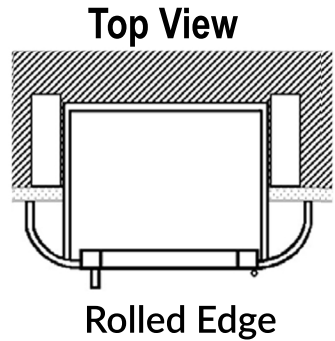
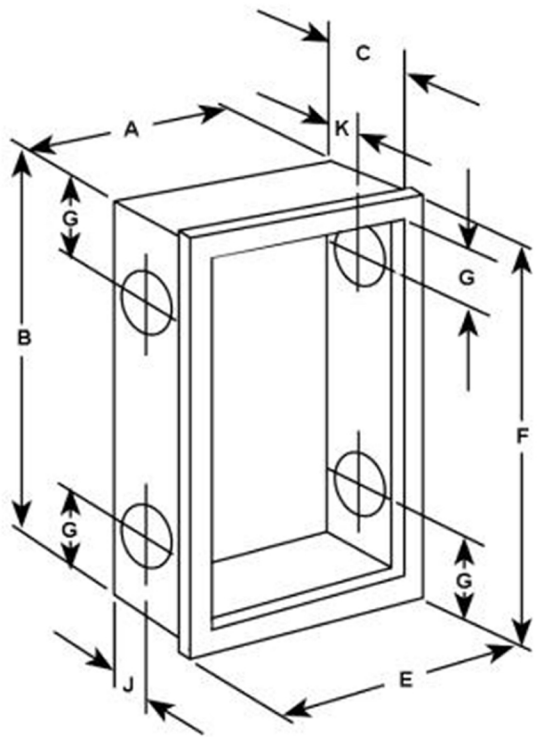


SEMI-RECESSED STEEL ROLLED EDGE SUBMITTAL : DIMENSIONS

| DOOR SERIES # | Tub I.D. | | | Frame O.D. | | Wall Opening | | | Knockout Locations | | |
|---------------|----------|--------|---|------------|--------|--------------|--------|-------|-----------------------|---|-------|
| | A | B | C | E | F | W | H | D | J | G | H |
| 6017 | 24 | 30 | 6 | 27 3/8 | 33 3/8 | 25 | 31 | 3 5/8 | Specify When Ordering | | |
| 6117 | 24 | 30 | 8 | 27 3/8 | 33 3/8 | 25 | 31 | 5 5/8 | 4 | 4 | 2 1/2 |
| 6217 | 24 | 34 3/4 | 6 | 27 3/8 | 38 1/8 | 25 | 35 3/4 | 3 5/8 | Specify When Ordering | | |
| 6417 | 24 | 34 3/4 | 8 | 27 3/8 | 38 1/8 | 25 | 35 3/4 | 5 5/8 | 4 | 4 | 2 1/2 |
| 6617 | 24 | 38 3/4 | 8 | 27 3/8 | 42 1/8 | 25 | 39 3/4 | 5 5/8 | 4 | 4 | 2 1/2 |
| 6317 | 30 | 30 | 8 | 33 3/8 | 33 3/8 | 31 | 31 | 5 5/8 | 4 | 4 | 2 1/2 |
| 6517 | 32 3/4 | 34 3/4 | 8 | 36 1/8 | 38 1/8 | 33 3/4 | 35 3/4 | 5 5/8 | 4 | 4 | 2 1/2 |
| 7217 | 32 3/4 | 38 3/4 | 8 | 36 1/8 | 42 1/8 | 33 3/4 | 39 3/4 | 5 5/8 | 4 | 4 | 2 1/2 |



Custom knockout locations available by request